

RHM 15 - Medium sized Coriolis Mass Flowmeter

The RHM 15 can measure flow rates up to 200 kg/min (440 lb/min) with temperatures in excess of 350°C and pressures up to 450 bar. This model is truly a reliable solution, [manufactured by Rheonik](#), the mass flowmeter experts.



GENERAL

Owing to its typical flow range (up to 200 kg/min) and wide number of variants, the RHM 15 is suitable for many applications.

As with all other Rheonik meters, this model is based on the patented Omega tube design with increased signal to noise ratio.

This unique design, which offers excellent performance and reliability, has created the most satisfied customers worldwide. Unlike other mass flowmeter manufacturers, Rheonik uses a patented torsion rod swinger with the Omega shape and support bars which results in high accuracy measurement, which is independent of pressure, even at very low flow velocities. The meter has also extremely good repeatability and high stability for critical applications.

APPLICATIONS

Suitable for virtually any mass flow applications such as:

- Batching
- Dosing
- General flow control
- Injections
- Filling

FEATURES

The outstanding features include:

- Suitable for pressure up to 450 bar
- Typical measuring ranges from 2 kg/min to 200 kg/min
- Minimal flows as low as 1 kg/min
- Flow accuracy of 0.1%
- Repeatability better than 0.05%
- Optimised solutions for your batching operation
- Extra compact design with minimal space requirement
- EEx Approvals (i.e. ATEX, CSA, ...)
- Custody Transfer Approvals (i.e. PTB, NMI, ...)

ADVANTAGES

- No pressure effect – no deterioration of accuracy due to pressure changes by the patented Omega Shape
- Patented torsion swinger design assures longest life time and increased safety (low stress in welds and increased wall thickness against abrasion)
- No moving parts – practically no maintenance
- Removable connection block

PERFORMANCE RHM 15

Max Flow 200 kg/min (440 lb/min)

1) Standard Models

Rates / turndown ratio	in kg/min	in lb/min	error in % of reading
nominal rate Q_{nom}	150.00	330.70	0.20
$0.2 * Q_{max}$ (5:1)	40.00	88.20	0.20
$0.1 * Q_{max}$ (10:1)	20.00	44.10	0.20
$0.05 * Q_{max}$ (20:1)	10.00	22.05	0.20
$0.02 * Q_{max}$ (50:1)	4.00	8.80	0.50

Typical ΔP in bar (psi)		
1 cP	100 cP	1000 cP
0.8 (11.5)	1.9 (27.9)	17.4 (250)
~ 0.1 (1.0)	~ 0.5 (6.8)	4.6 (66)
~ 0 (0.3)	0.2 (3.3)	2.3 (33)
~ 0 (0.1)	0.1 (1.6)	1.1 (16)
~ 0 (0)	~ 0 (0.6)	0.5 (6.6)

2) Optimized Low Flow Models^(*) / optimized to be operated between $0.012 * Q_{max}$ and $0.3 * Q_{max}$

$0.3 * Q_{max}$ (1:1)	60.00	132.30	0.15
$0.02 * Q_{max}$ (20:1)	4.00	8.80	0.20
$0.012 * Q_{max}$ (30:1)	2.00	4.40	~ 0.50 ^(**)

~ 0.2 (2.0)	0.7 (10.3)	6.7 (97)
~ 0 (0)	~ 0 (0.6)	0.2 (3.3)
~ 0 (0)	~ 0 (0.6)	0.5 (6.6)

(*) serial/single path version offers the same accuracy at half the flow ($Q_{max} = 100$ kg/min)

(**) around 0.30 - 0.70 % accuracy depending on the installation conditions

3) Gold Line Models / application fine tuned meters

$1 * Q_{nom}$ (1:1)	150.00	330.70	0.10
$0.1 * Q_{nom}$ (10:1)	15.00	33.07	0.10
$0.05 * Q_{nom}$ (20:1)	7.50	16.50	0.12

0.8 (11.5)	1.9 (27.9)	17.4 (250)
~ 0 (0.2)	0.2 (2.5)	1.8 (24)
~ 0 (0)	0.1 (1.2)	0.8 (12)

Repeatability

better $\pm 0.05\%$ of rate

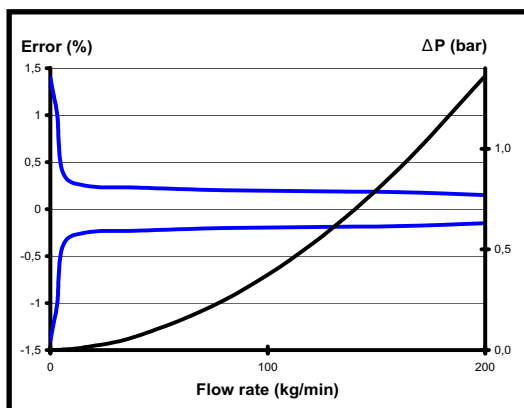
Density

better than ± 0.0025 g/cc - Gold Line: Field adjustable to better ± 0.001 g/cc

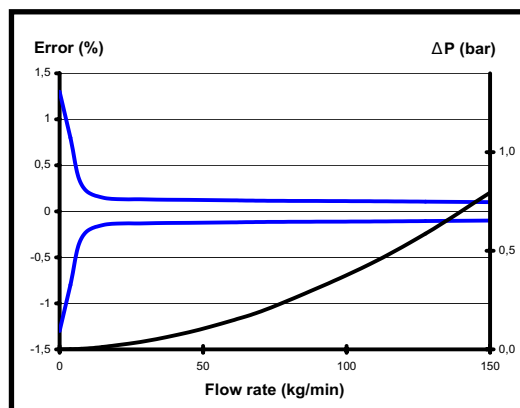
Temperature

better $\pm 1^\circ\text{C}$

Standard Models



Gold Line Models



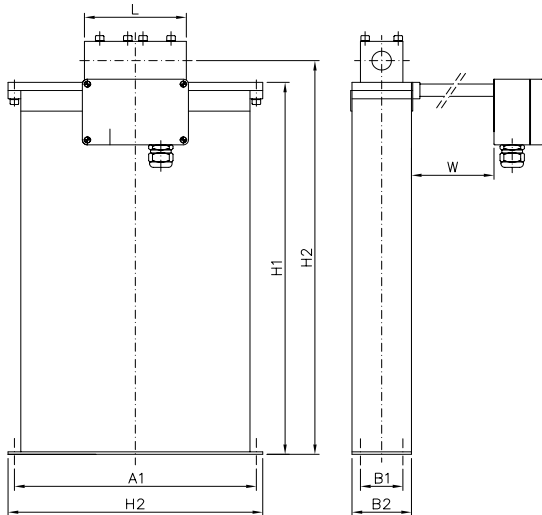
For serial (single pipe/path) sanitary design Q_{max} is 100 kg/min (50%). Data above refer to standard wall thickness. Error of reading (including zero drift) indications refer to reference conditions H_2O , 18-24°C (66-76°F), 1-3 bar (15-45 psi). RHM sensor do not suffer from pressure effect due to torsional oscillation and semi circle (non-deforming) measurement section. Temperature changes of $\pm 25^\circ\text{C}$ around the operating point are negligible. Pressure drop refers to Newton liquids, with parallel measuring loops and block/manifold connection. Nominal flow refers to approx. 10 m/s (33 ft/sec) velocity in measuring loops for best performance. **Calibration to customer range, with increased accuracy, possible.**

www.rheonik.com - the mass flowmeter experts

GENERAL OUTLINE DIMENSIONS RHM 15

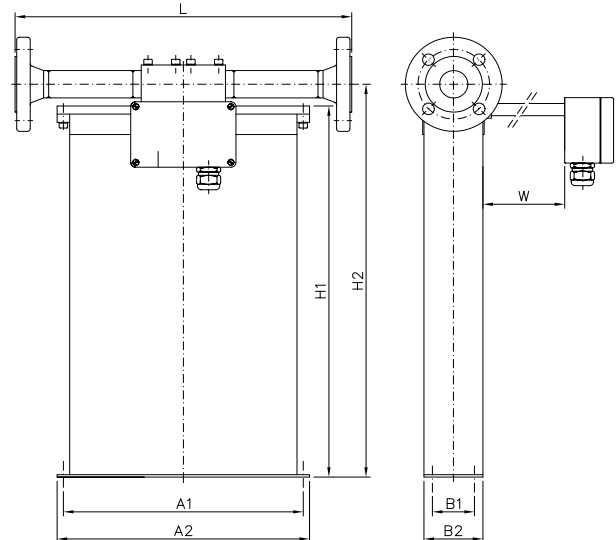
Type I (w/ removable manifold block - serial [SM0] / parallel [PM0] / PTFE seals)

Thread type:



Weight approx. 14 kg (31 lb)

Flange type:



Weight approx. 16 kg (35 lb)

A1=285 mm (11.22")
A2=300 mm (11.81")

B1=50 mm (1.97")
B2=70 mm (2.76")

H1=454 mm (17.87")
H2=480 mm (18.90")

W= 0 mm for standard temperature models -45/-20 to +120°C (-49/-4 to +248°F)
= 150 mm (5.91") for extended (ET1, ET2) and high temperature models^(*)

Process Connection		Face to face length (L) ^(**)	Order Code
Thread Standard	G ¾" female	120 mm (4.72")	G1
	NPT ¾" female	120 mm (4.72")	N1

Flange Standard	1" CL 150 acc. ANSI B16.5	400 mm (15.75")	A1
	1" CL 300 acc. ANSI B16.5	400 mm (15.75")	A2
	1" CL 600 acc. ANSI B16.5	400 mm (15.75")	A3
	DN25 / PN40 acc. DIN 2635 - C	400 mm (15.75")	D1
	DN25 / PN100 acc. DIN 2637 - E	400 mm (15.75")	D2
Flange Optional	1" CL 900 / 1500 acc. ANSI B16.5	450 mm (17.72")	A6
	DN25 / PN160 acc. DIN 2638 - E	400 mm (15.75")	D4
Special	1" JIS flanges	standard - 400 mm (15.75")	XX
	Swagelok	standard - 350 mm (13.78")	XX
	Novaswiss	standard - 350 mm (13.78")	XX

^(*) For high temperature models type II or type III are preferred - see next pages.
^(**) Customization possible on request.

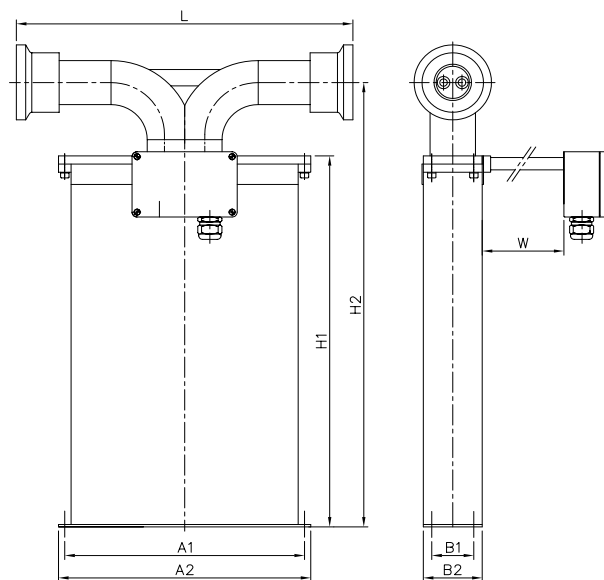
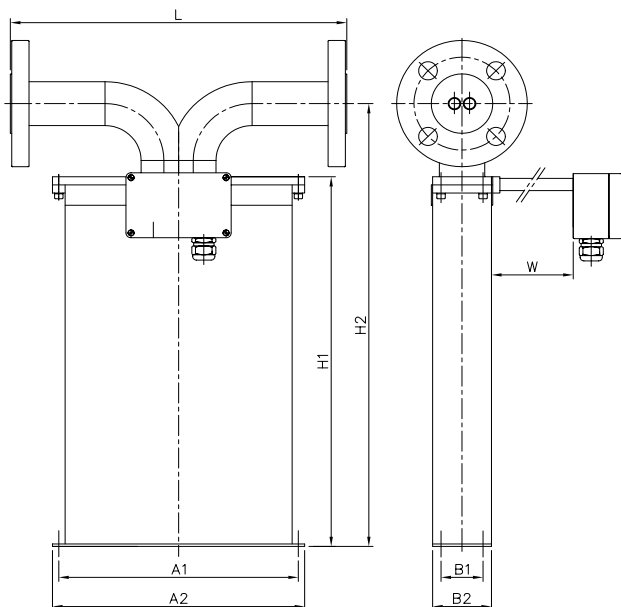
Our standard seals are PTFE - Manifold block on request available without seals but with brazed connection block.
The finish type of our ANSI flanges is RF/SF (AARH 125-250 (µinch) - Ra 3,2 up to 6,3 (µm)). Others available on request.
Above table only shows our general process fittings.
For further customization with regard to face to face length and special fittings please contact your local agent.

GENERAL OUTLINE DIMENSIONS RHM 15

Type II (sealless welded, parallel measuring loops w/o seals [PF0])

Flange type:

Special fittings:



Weight approx. 16 kg (35 lb)

Weight approx. 16 kg (35 lb)

A1=285 mm (11.22")
A2=300 mm (11.81")

B1=50 mm (1.97")
B2=70 mm (2.76")

H1=454 mm (17.87")
H2=540 mm (21.25")

W= 0 mm for standard temperature models -45/-20 to +120°C (-49/-4 to +248°F)
= 150 mm (5.91") for extended (ET1, ET2) and high temperature models

	Process Connection	Face to face length (L) ^(*)	Order Code
Standard	1 1/2" CL 150 acc. ANSI B16.5	400 mm (15.75")	F1
	1 1/2" CL 300 acc. ANSI B16.5	400 mm (15.75")	F2
	1 1/2" CL 600 acc. ANSI B16.5	400 mm (15.75")	F3
	DN40 / PN40 acc. DIN 2527 - C	400 mm (15.75")	C1
	DN40 / PN100 acc. DIN 2527 - E	400 mm (15.75")	C2
Optional	1 1/2" CL 900 / 1500 acc. ANSI B16.5	400 mm (15.75")	F5
	1 1/2" CL 2500 acc. ANSI B16.5	450 mm (17.72")	F4
	DN40 / PN160 acc. DIN 2527 - E	400 mm (15.75")	C4
Special	DN40 / PN250 acc. DIN 2527 - E	400 mm (15.75")	XX
	DN40 / PN320 acc. DIN 2527 - E	400 mm (15.75")	XX
	1 1/2" JIS flanges	standard - 400 mm (15.75")	XX
	Grayloc or equivalent hubb	standard - 350 mm (13.78")	XX
	Swagelok	standard - 350 mm (13.78")	XX

^(*) Customization possible on request.

The finish type of our ANSI flanges is RF/SF (AARH 125-250 (µinch) - Ra 3,2 up to 6,3 (µm)). Others available on request.

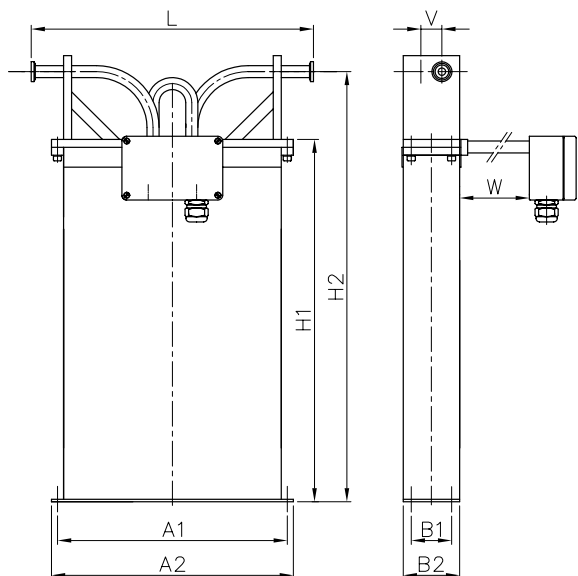
Above table only shows our general process fittings.

For further customization with regard to special fittings and face to face length please contact your local agent.

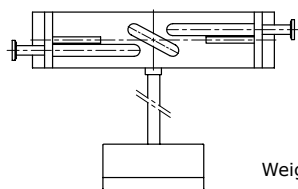
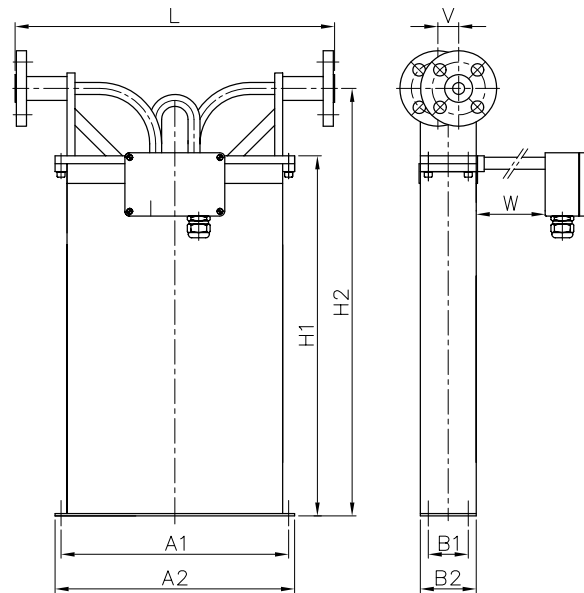
GENERAL OUTLINE DIMENSIONS RHM 15

Type III (sealless welded, serial measuring loops - single path w/o seals [SF0])

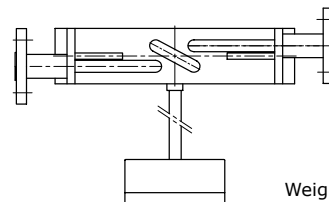
Sanitary fittings:



Flange / Other fittings type:



Weight approx. 15 kg (33 lb)



Weight approx. 16 kg (35 lb)

A1=285 mm (11.22")
A2=300 mm (11.81")

B1=50 mm (1.97")
B2=70 mm (2.76")

H1=454 mm (17.87")
H2=540 mm (21.25")

V=26 mm (1.02")

W= 0 mm for standard temperature models -45/-20 to +120°C (-49/-4 to +248°F)
= 150 mm (5.91") for extended (ET1, ET2) and high temperature models

Process Connection		Face to face length (L) ^(*)	Order Code
Sanitary Fittings ^(**)	1" Tri Clamp acc. DIN 32676	350 mm (13.78")	S0
	DN20 / Sanitary acc. DIN 11851	350 mm (13.78")	S2
Flange Other Fittings	1" CL 150 acc. ANSI B16.5	400 mm (15.75")	A1
	1" CL 300 acc. ANSI B16.5	400 mm (15.75")	A2
	DN25 / PN40 acc. DIN 2527 - C	400 mm (15.75")	D1
	Swagelok	standard - 230 mm (9.06")	XX

(*) Customization possible on request.

(**) Fitting material is 1.4435 / SS 316L.

The finish type of our ANSI flanges is RF/SF (AARH 125-250 (µinch) - Ra 3,2 up to 6,3 (µm)). Others available on request.

Above table only shows our general process fittings.

For further customization with regard to special fittings and face to face length please contact your local agent.

www.rheonik.com - the mass flowmeter experts

GENERAL SPECIFICATIONS RHM 15

Approvals

- ATEX (CESI 02 ATEX 053 X):
Ex II 1 G, EEx ia IIC T6-T1
- CSA (220705)
Class I, Div 1 and 2,
Groups A, B, C and D; Type 3
- Custody Transfer Approvals
(PTB 1.32-97027224 and NMI TC 3382)
- PED according to directive 97/23/EC
available
- 3A Sanitary Approvals

Electrical connection

- Junction box / aluminium coated (standard)
IP 65 (Nema 4X)
(Junction box in SS optional)
- Cable entry M25 x 1.5
(M20 x 1.5, 1/2" and 3/4" NPT optional)
- Max cable length between RHM and RHE:
100 m (330 ft)
200 m (660 ft) only with factory approval

Housing

- Stainless Steel: 1.4301 / SS 304
- others on request -
- Protection class: IP 65 (Nema 4X)
- higher on request -

Material of wetted parts

- 1.4571 / SS 316Ti (standard)
- 1.4539 / SS 904L on request
- Hastelloy C22 on request
- Tantalum on request
- Other material on request

Pressure rating

- Pressured part of the meter consists of the measuring loops and the connection part. The weaker of both parts decides the maximum allowed operating pressure. Below is the max. operating pressure of the measuring loops^(*).

(*) These values are only valid for SS 316Ti & SS 904L materials. Statements for others materials on request.

Standard version:

- 150 bar @ 120°C (2175 psi @ 248°F)
- 120 bar @ 210°C (1740 psi @ 410°F)
- 100 bar @ 350°C (1450 psi @ 662°F)
- wall thickness is generally 1.0 mm (0.04")

Optional high pressure version:

- 300 bar @ 120°C (4350 psi @ 248°F)
- wall thickness is generally 2.0 mm (0.08")

- *Extremely high pressure*
- on request -

Temperature rating

- NT Models from -20 to +120°C (-4 to +248°F)
- ET Models from -45 to +120°C (-49 to +248°F)
- ET1 Models from -200 to +50°C (-328 to +122°F)
- ET2 Models from -45 to +210°C (-49 to +410°C)
- HT Models from 0 to +350°C (+32 to +662°F)



- to be continued with the order code on the next page -

www.rheonik.com - the mass flowmeter experts

ORDER CODE RHM 15

Order Code Structure

The order code of the Rheonik Sensors consists of 6 sections (see previous pages / below). Restrictions of combinations may apply. For specials, please comment your needs in plain text / sketches.

Temperature Rating

T1	NT Models (Normal Temperature Models) from -20 to +120°C (-4 to +248°F)
TA	ET Models (Extended Temperature Models) from -45 to +120°C (-49 to +248°F)
T2	ET2 Models (Extended Temperature Models) from -45 to +210°C (-49 to +410°F)
T3	ET1 Models (Extended Temperature Models) from -200 to +50°C (-328 to +122°F)
T4	HT Models (High Temperature Models) from 0 to +350°C (+32 to +662°F)

Pressure Rating

P1	Standard pressure version (150 bar @ 120°C / 2175 psi @ 248°F) - page 6 -
P2	High pressure version (300 bar 120°C / 4350 psi @ 248°F) - page 6 -
PX	Extremely high pressure version (on request) - page 6 -

Construction Type

PM0	Parallel Measuring Loops with removable Block/Manifold and PTFE Seals - page 3 -
SM0	Serial Measuring Loops with removable Block/Manifold and PTFE Seals - page 3 -
PFO	Parallel Measuring Loops Seal Less Welded Version - page 4 -
SFO	Serial Measuring Loops Seal Less Welded Version / Single Path - page 5 -
XXX	Other construction type on request

Material of Wetted Parts

M1	1.4571 / SS 316Ti
M2	1.4539 / SS 904L
M3	Hastelloy C22
M4	Tantalum

Process Connection

XX	Code available on pages 3, 4 and 5.
----	-------------------------------------

Hazardous Area Approvals

NN	Without Ex Approvals
AT	ATEX Approvals (CESI 02 ATEX 053 X) - Ex II 1 G, EEx ia IIC T6-T1
CS	CSA Approvals (220705) - Class 1, Div 1 / Group A, B, C, and D; Type 3

Order Code Example

M#15 T1 P1 SM0 M1 N1 AT

T1:	NT (Normal Temperature Models) from -20 to +120°C (-49 to +248°F)
P1:	Standard pressure version (150 bar @ 120°C / 2175 psi @ 248°F)
PM0:	Serial Measuring Loops with removable Block/Manifold and PTFE Seals
M1:	1.4571 / SS 316 Ti
N1:	Female Thread NPT-F 3/4"
AT:	ATEX Approvals (CESI 02 ATEX 053 X)

M#15

www.rheonik.com - the mass flowmeter experts