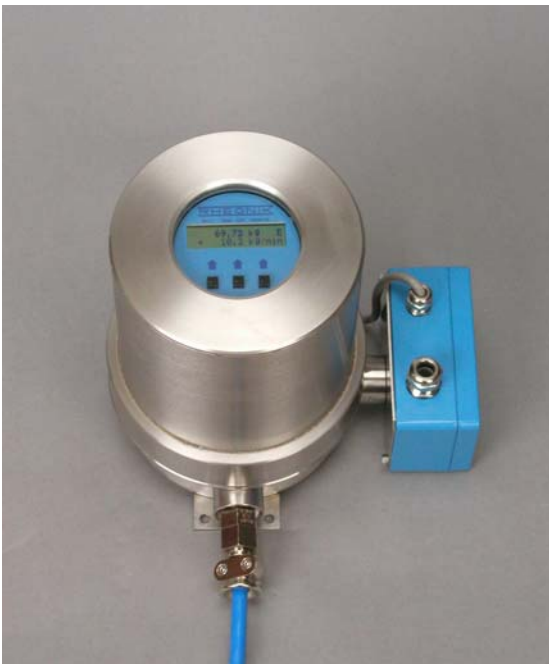


## RHE 11 / RHE 12 - The EExd Rheonik transmitters

The RHE 11 offers many functions and features. The RHE 12 is compact, easy to operate and offers the flow information at a more economic price.

### The RHE 11



### FEATURES RHE 11

- Stainless steel housing for wall/hook or sensor mounting
- Fully stainless steel version (in SS 316) available on request
- Designed to be installed in hazardous areas ATEX Approval, Ex II 2(1) G EEx d e [ia] IIC T5
- 2 analog outputs (0/4 - 20/22 mA)
- 1 pulse/frequency output
- Available in all common supply voltages
- Multifunction (density, batch, brix, concentration...)
- Available with RS 422/485 or HART interface
- Protection class: IP 65 / Nema 7X
- Power consumption: < 15 W
- Temperature range: -40 to +60°C

### The RHE 12



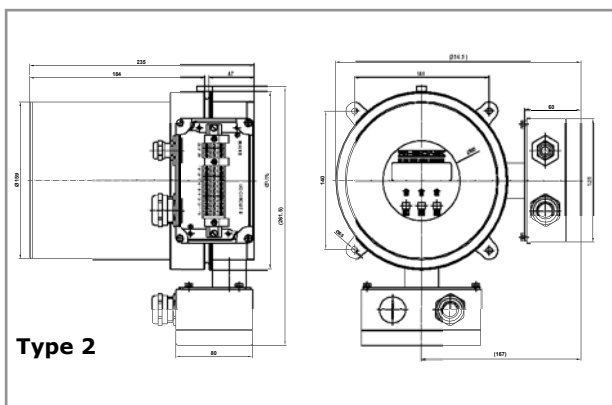
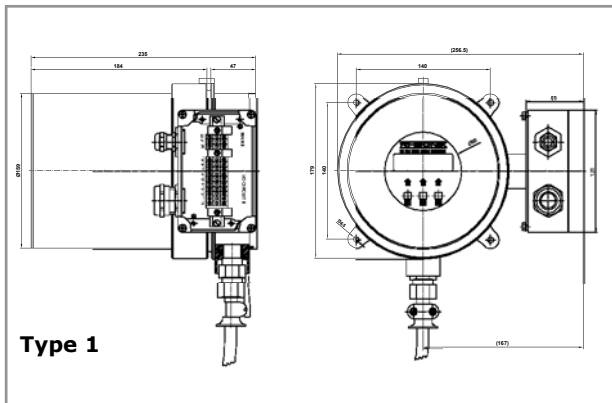
### FEATURES RHE 12

- Compact version
- Designed to be installed in hazardous areas ATEX Approval, Ex II 2 (1) G, EEx d [ia] IIC T6 CSA pending
- 1 analog output
- 1 pulse output
- Power supply: 24 VDC (85-230 VAC optional with separate module - to be installed in safe area)
- HART interface
- Protection class: IP 66 / Nema 7X
- Power consumption: about 7 W
- Temperature range: -20 to +55°C

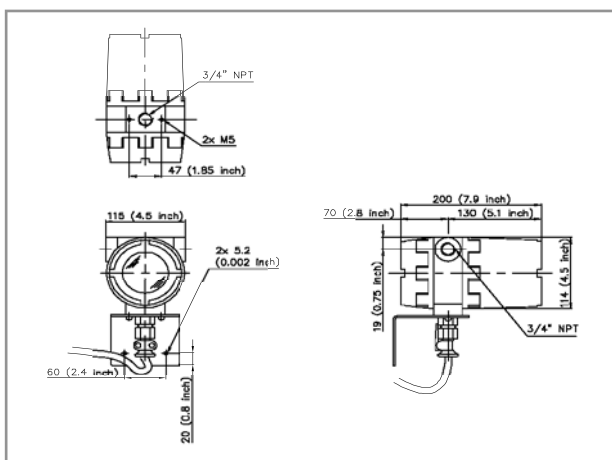
## RHE 11 / RHE 12 - The EExd Rheonik transmitters

The RHE 11 offers many functions and features. The RHE 12 is compact, easy to operate and offers the flow information at a more economic price.

### The RHE 11



### The RHE 12



### Details RHE 11

Housing:	explosion proof stainless steel <sup>(*)</sup>
Protection class:	IP 65 / Nema 4X
Dimensions:	diameter: 159 mm / 6.26" height: 225 mm / 8.86"
Weight:	approx. 9 kg / 19.84 lb
Operating temperature:	-40 to +60°C -40 to +140°F
Display:	LCD (16 charct., 2 lines)
Servicing:	via 3 photo sensors
Outputs <sup>(**)</sup> :	2 analog outputs 1 frequency/pulse output 1 digital output (Lt, +/-, error...)
Power supply:	230 VAC +/- 10% or 115 VAC +/- 10% or 24 VDC
Electrical connection:	
Power and in/outputs:	via terminal box in Alu <sup>(+)</sup>
RHM to RHE:	via 2 meters integrated cable or via terminal box in Alu <sup>(+)</sup>
Cable entries:	2 x M25 x 1.5 others optional
Interface <sup>(**)</sup> :	RS 422/485/232 - optional HART - optional

(\*) Complete unit in SS 316 available (slightly different mounting holes).

(\*\*) On request with 1 analog output and 1 digital input available  
In/outputs & interface via open collector optocouplers / galvanically isolated  
RS 422 / RS 485.

(+) Junction boxes in stainless steel available on request.

### Details RHE 12

Housing:	explosion proof
Protection class:	IP 66 / Nema 7
Dimensions:	diameter: 114 mm / 4.5" height: 200 mm / 7.9"
Weight:	approx. 2 kg / 4.40 lb
Operating temperature:	-20 to +55°C / -4 to +131°F
Display:	LCD (16 charct., 2 lines)
Servicing:	via 2 photo sensors
Outputs <sup>(**)</sup> :	1 analog, 1 pulse output HART interface
Power supply:	24 VDC <sup>(++)</sup>
Electrical connection:	
Power and in/outputs:	via separated cable entries
RHM to RHE:	via 2 meters integrated cable or via 10 meters integrated cable
Cable entries:	¾" NPT-F

(\*\*) In/outputs & interface via open collector optocouplers / galvanically isolated.

(++) (85-230 VAC optional with separate module - to be installed in safe area).

# RHE 11 / RHE 12 - The EExd Rheonik transmitters

The RHE 11 offers many functions and features. The RHE 12 is compact, easy to operate and offers the flow information at a more economic price.

## The RHE 11 (\*) / Order Code

RHE 11				
Construction Type	T1			1 Blue Terminal Box in Alu, for Power and I/O (Standard)
	T2			2 Terminal Boxes in Alu, for Signal, Power and I/O
	T3			1 Terminal Box in Stainless Steel, for Power and I/O
	T4			2 Terminal Boxes in Stainless Steel, for Signal, Power and I/O
Power Supply	A1			230 VAC +/- 10%
	A2			115 VAC +/- 10%
	D1			24 VDC +/- 10%
Digital Interfaces	IA			2 x 4-20 mA, 1 pulse, 1 digital output (standard configuration)
	ID			1 x 4-20 mA, pulse, 1 digital input, 1 digital output
	I0			Interface RS 485, 1 x 4-20 mA, pulse (not possible with HART)
	I1			Interface RS 422, 1 x 4-20 mA, pulse (not possible with HART)
	HH			Interface HART, 2 x 4-20 mA, pulse, 1 digital output
	HD			Interface HART, 1 x 4-20 mA, pulse, 1 digital input, 1 digital output
	IX			Customized
	NN			None
EEx Class		E		Ex II 2 (1) G EEx d e [ia] IIC T5

I.e.: RHE 11 T1 A1 NN E

(\*) Standard configuration includes:

- M25 x 1.5 cable entries. Others (1/2" NPT-F, 3/4" NPT-F and M20 x 1.5) available on request.

## The RHE 12 / Order Code

RHE 12				
Construction Type	T1			Pressure Safe Housing - Supply with 2 meters fixed cable
	T2			Pressure Safe Housing - Supply with 10 meters fixed cable
Power Supply	D1			24 VDC +/- 10%
Digital Interfaces		HH		Interface HART
EEx Class		E		Ex II 2 (1) G, EEx d [ia] IIC T6

I.e.: RHE 12 T1 D1 HH E