

## RHE 01 / RHE 06 - The very economic Rheonik transmitters

Thousands of units worldwide in use. Economic, most reliable and easy to operate.

### The RHE 01



### The RHE 06



#### FEATURES RHE 01

- For use in safe area
- Pulse output (free scalable via rotary switches)
- Power consumption: < 15 W
- Temperature range: -40 to +60°C
- Protection class: IP 54 / Nema 3S
- Available in all common supply voltages
- Fast response version (60 ms) for batching applications available
- Modular space part concept allows easy and quick repair if ever necessary

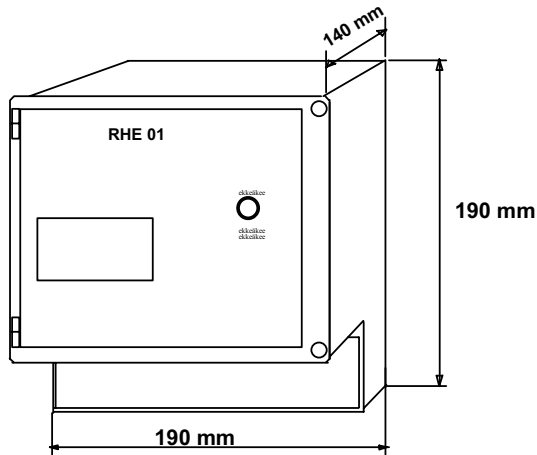
#### FEATURES RHE 06

- Allows to operate flow sensor in hazardous area
- ATEX Approval Ex II (1) G [Ex ia] IIC
- Pulse output (free scalable via rotary switches)
- Power consumption: < 15 W
- Temperature range: -40 to +60°C
- Protection class: IP 64 / Nema 4
- Fast response version (60 ms) for batching applications available
- PTB custody transfer approved version available (1.32-97027224) with double pulse output

## RHE 01 / RHE 06 - The very economic Rheonik transmitters

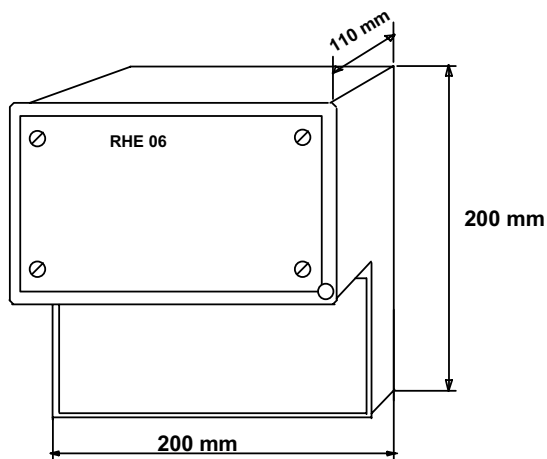
Thousands of units worldwide in use. Economic, most reliable and easy to operate.

### The RHE 01



Weight: approx. 2.0 kg / 4.4 lb

### The RHE 06



Weight: approx. 2.8 kg / 6.2 lb

### Details RHE 01

Housing:	ABS plastic
Protection class:	IP 54
Dimensions:	140 x 190 x 190 mm 5.51 x 7.48 x 7.48"
Operating temperature:	-40 to +60°C -40 to +140°F
Outputs <sup>(*)</sup> :	flow pulses flow direction error
Input <sup>(*)</sup> :	zeroing
Power supply:	230 VAC +/- 10% or 115 VAC +/- 10% or 24 VDC
Cable entries:	3 x PG 9, 1 x PG 13.5

<sup>(\*)</sup> In/outputs via open collector optocouplers.  
For details see wiring diagrams.

### Details RHE 06

Housing:	Aluminium
Protection class:	IP 64
Dimensions:	200 x 200 x 110 mm 7.87 x 7.87 x 4.33"
Operating temperature:	-40 to +60°C -40 to +140°F
Outputs <sup>(*)</sup> :	flow pulses flow direction error
Input <sup>(*)</sup> :	zeroing (intrinsically safe)
Power supply:	230 VAC +/- 10% or 115 VAC +/- 10% or 24 VDC
Cable entries:	3 x PG 9, 1 x PG 13.5

<sup>(\*)</sup> In/outputs via open collector optocouplers.  
For details see wiring diagrams.

# RHE 01 / RHE 06 - The very economic Rheonik transmitters

Thousands of units worldwide in use. Economic, most reliable and easy to operate.

## The RHE 01 (\*) / Order Code

RHE 01			
Power Supply	A1		230 VAC +/- 10%
	A2		115 VAC +/- 10%
	D1		24 VDC +/- 10%
Outputs	I1		Impulse Output according to the listing below:
			RHE 01 with RHM 015: 100 000 Imp/kg
			RHE 01 with RHM 03 up to RHM 04: 10 000 Imp/kg
			RHE 01 with RHM 06 up to RHM 12: 1 000 Imp/kg
			RHE 01 with RHM 15 up to RHM 40: 100 Imp/kg
		RHE 01 with RHM 60 up to RHM 160: 10 Imp/kg	
	IFX		Impulse Fast Response (depending on requirement)
	IX		Specials / Customized
EEx Class		N	None

I.e.: RHE 01 A1 I1 N

(\*) Standard configuration includes:

- Outputs (flow pulses, flow direction, error), input (zeroing) - (see wiring diagram for details).
- 3 x PG 9 + 1 x PG 13.5 as cable entries.

## The RHE 06 (\*) / Order Code

RHE 06			
Power Supply	A1		230 VAC +/- 10%
	A2		115 VAC +/- 10%
Outputs	I1		Impulse Output according to the listing below:
			RHE 06 with RHM 015: 100 000 Imp/kg
			RHE 06 with RHM 03 up to RHM 04: 10 000 Imp/kg
			RHE 06 with RHM 06 up to RHM 12: 1 000 Imp/kg
			RHE 06 with RHM 15 up to RHM 40: 100 Imp/kg
			RHE 06 with RHM 60 up to RHM 160: 10 Imp/kg
	IFX		Impulse Fast Response (depending on requirement)
	IX		Specials / Customized
EEx Class		E	ATEX Approval Ex II (1) G [EEx ia] IIC

I.e.: RHE 06 A1 I1 E

(\*) Standard configuration includes:

- Outputs (flow pulses, flow direction, error), input (zeroing) - (see wiring diagram for details).
- 3 x PG 9 + 1 x PG 13.5 as cable entries.

